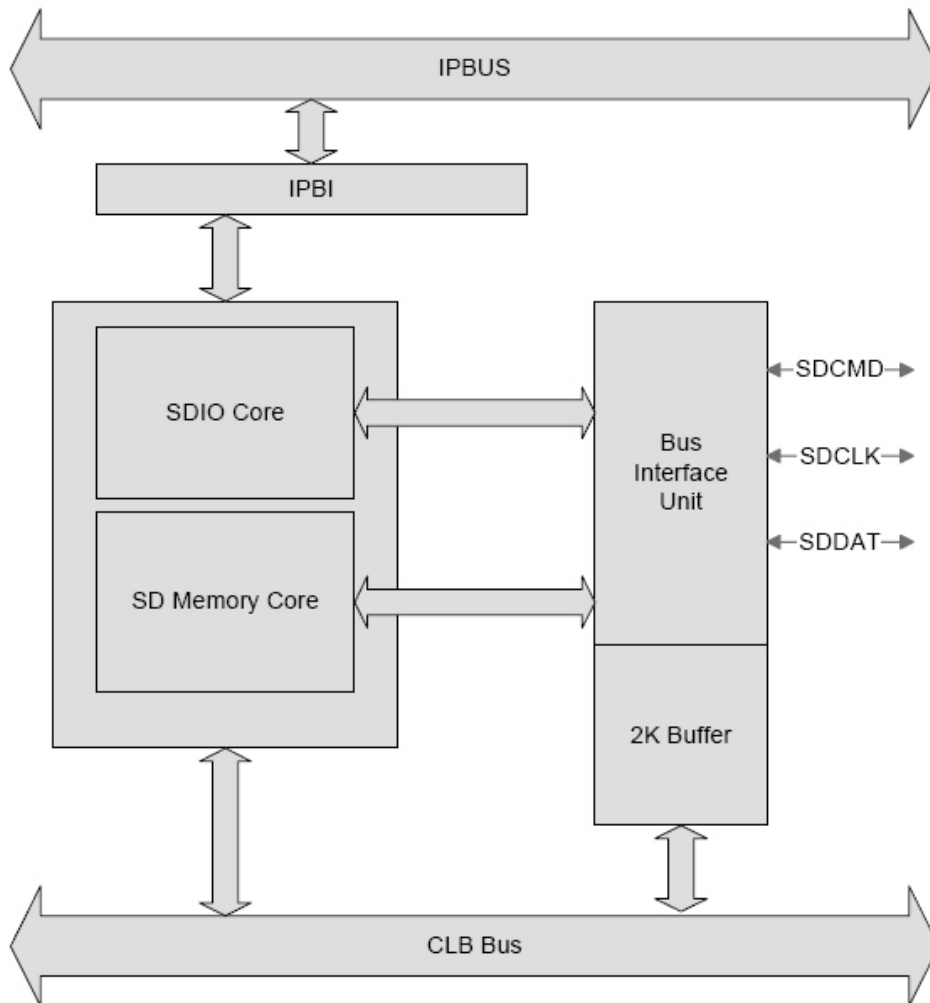


SDDC

SD Device Controller Module

Summary

The SD Device Controller (SDDC) is designed to support SD combo card specification (SDIO Card Specification Version 1.10 and SD Memory Card Specification Version 1.01).



SDDC Block Diagram

Features

- Ø Compatible with the SD Memory Card Specification 1.01
- Ø SD Memory Card Security Protocol support(mandatory)
- Ø Compatible with the SDIO Card Specification 1.10
- Ø Can be configured to SD Memory only , SDIO only or Combo Card mode by external pins.
- Ø Support data communication rate of 0-25MHz.
- Ø 512x32 bit Buffer for SD memory and IO data transfer.
- Ø MLB DMA interface support for CIS/CSA access by CMD52.
- Ø 1-bit SD mode ,4-bit SD mode and SPI mode support.
- Ø Device to SDIO host interrupt support
- Ø SDIO host to Device interrupt support
- Ø Support Direct Commands during data transfer
- Ø Support Card Lock/Unlock Operation.
- Ø Support Write Protect Operation.
- Ø Don't support SDIO Suspend/Resume Operation
- Ø The chip can run at any system clock frequency with any SD Clock

*To obtain more information about the SDDC or other C*Core™ products, please contact the C*Core Technology Co., Ltd. by phone: 0512-68091377, email:*

support@china-core.com or web: <http://www.china-core.com>.

*C*Core™ is a trade mark of C*Core Co., Ltd.*